

400 Amp Ferroresonant Rectifier @ -48VDC

PEC3875B



Universal Load Sharing

Compatible With Other Major Brands of Plant Controllers

Product Description

The PEC3875B controlled ferroresonant rectifier floats lead-acid battery strings of 23 or 24 cells comprised of either the wet or VRLA battery design and supplies current to the load. PECO II's Universal Load Sharing circuit allows the rectifier to proportionally load share with ALL Major Brands of Control Ferro Rectifiers making it an excellent choice for adding to or replacing rectifiers at a site. Local AC On/Off, DC output fuse, Float/Equalize and Test switches, Voltage and Current meters along with adjustments for Float and Equalize voltages are provided to facilitate installation, operation and maintenance. PECO II's Universal Controller Interface allows the rectifier to work with a variety of Conventional and Intelligent Interfaces (**PECO II, Marconi, Tyco, etc.***). Connectors accept standard interface cables for **Tyco CCS, MCS and Galaxy*** (pending) controllers. The reduced overall size of each unit allows more rectifiers to be installed in a given space, while conduit knockouts located on both the top and front of the unit allow for flexibility. The controlled ferroresonant design of this product provides an efficient and cost effective approach to power conversion with the benefits of enhanced reliability, reduced TIF and RFI, improved power factor, and high immunity to transients.



**Trademarks and Company Names are the property of their respective owners.*

- **220 or 480VAC, 3-Phase Input**
- **Universal Load Sharing**
- **Test Mode**
- **Front Access**
- **Analog Volt/Amp Metering**
- **DC Output Fuse**
- **Complies with Telcorida Standards**
- **UL listed and CSA Certified**
- **NEBS Level 3 Compliant**



This rectifier may be used with all makes and models of -48V Power Plants

Specifications

Input	220VAC	480VAC
Voltage Range	187 - 254VAC, 3 Phase	424 - 508VAC, 3 Phase
Frequency	57 - 63Hz	
Current	76 Amps max.	35 Amps max.

Output	
Float Voltage Range	48 - 57VDC. Factory set @ 54.0VDC
Current	400 Amps
Efficiency	88.5%

400 Amp Ferroresonant Rectifier @ -48VDC

PEC3875B

Noise

Voice Band	<38 dBnc
Wide Band	<200mV peak-to-peak
Acoustic	60 dBa

Environmental

Storage Ambient	-40°F to +185°F (-40°C to +85°C)
Operating Ambient	
Sea Level to 4,800 ft.	32°F to 122°F (0°C to +50°C)
4,800 ft. to 7,000 ft.	32°F to 113°F (0°C to +45°C)
7,000 ft. to 10,000 ft.	32°F to 104°F (0°C to +40°C)
Humidity	95% non-condensing, maximum
Heat Dissipation	7500 BTU per hour @ 100% load

Mechanical

Height	84.0" (265.9mm)
Width	25.94" (658.9mm)
Depth	15.0" (402.3mm)
Weight	1450 lbs. (657.7kg)
Mounting	Floor
Cooling	Convection

Documentation

	220VAC	480VAC
Product Manual		6424398
System Layout Drawing	6064246P	6064247P

Visual Indicators, Alarms & Controls

Visual Indicators and Alarms

LED Description	Name	Color
Input Power On	AC ON	Green
Output Capacitor Charged	CAP CHARGE	Red until charged
Equalize Mode	Equalize	Amber
Test Mode	TEST	Amber
RFA Alarm	CFA/RFA	Red
High Voltage Reset Enabled	HV Reset	Amber
Temporary Release	TR	Amber

Extended Alarms

Rectifier Fail Alarm
Low Output Alarm
Power Minor

Controls

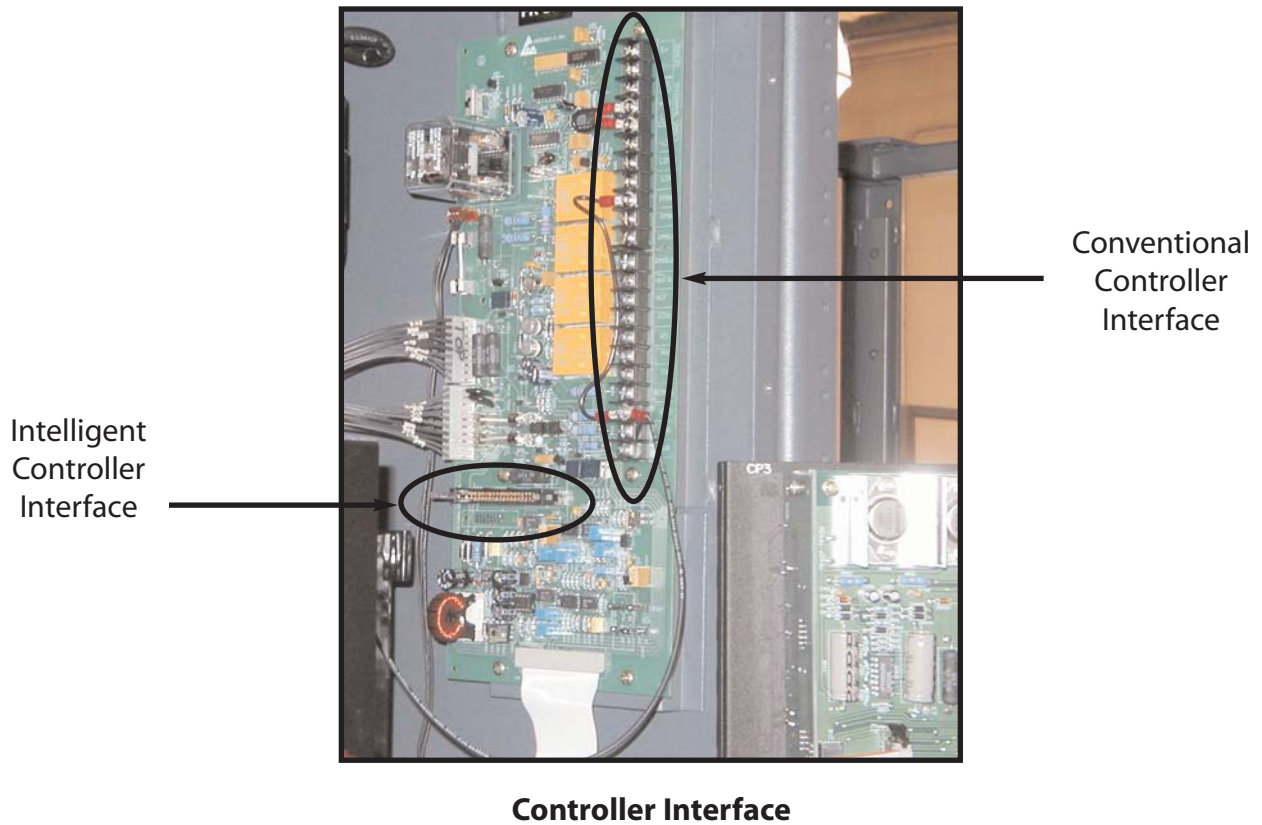
Remote Sense Voltage Control
Output Capacitor Precharge Switch
Test Mode Switch
Internal High Voltage Shutdown
External High Voltage Shutdown
Remote On
Remote Off
Remote Restart
Over Temperature Shutdown

Options

Description	PECO II Part Number
3875B-L21, 400 Amp ferro rectifier with 220VAC input6064246P
3875B-L22, 400 Amp ferro rectifier with 480VAC input6064247P
Universal load sharing and controller interface kit6420549P

Note: Contact factory for interface cable ordering information

Controller Interface



Certifications:

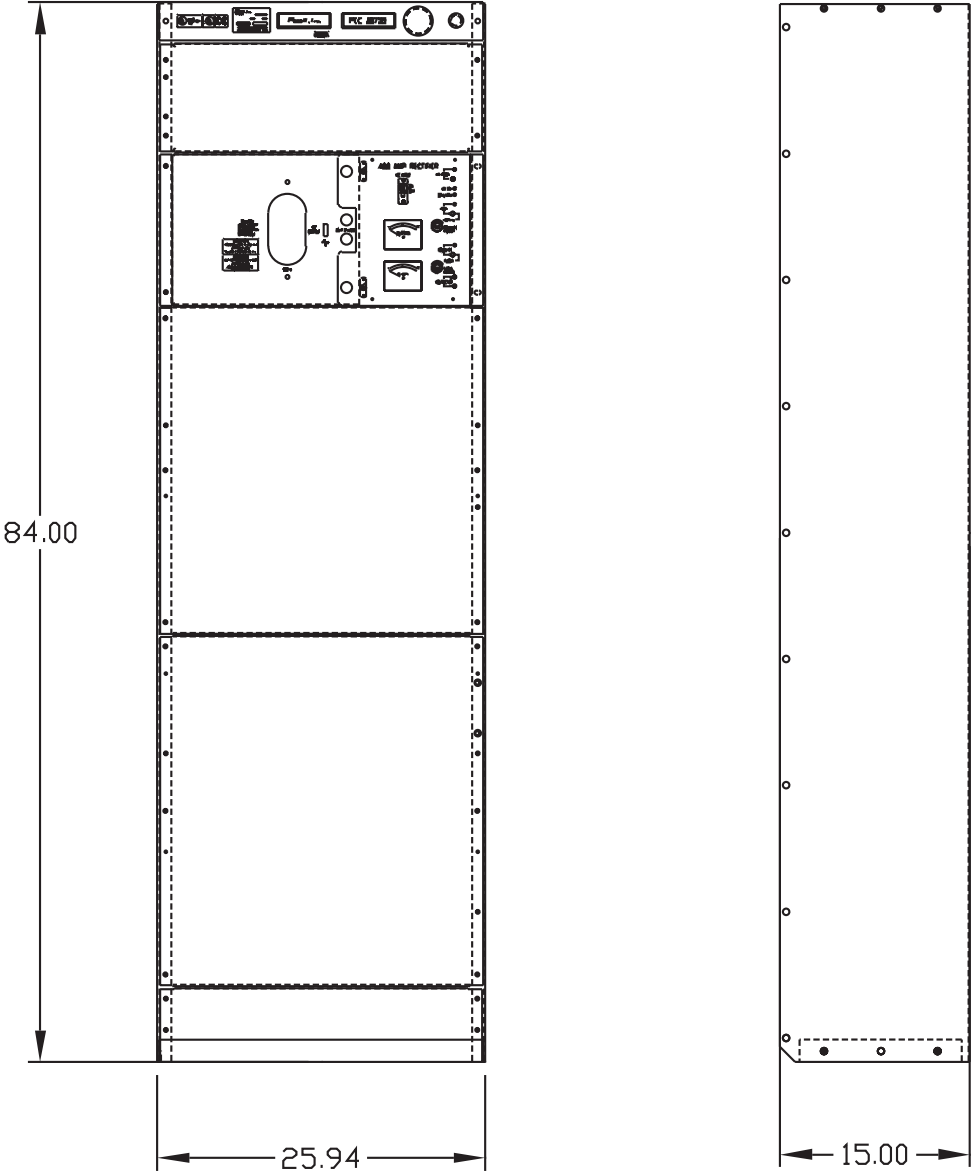


400 Amp Ferroresonant Rectifier @ -48VDC

PEC3875B

Line Drawing

PEC3875B L21 is shown



Certifications:

